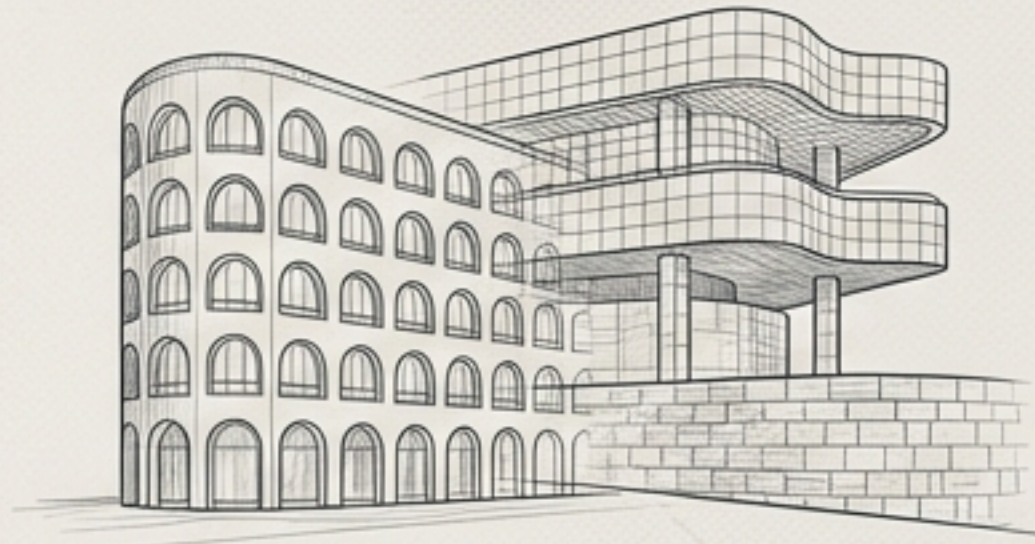
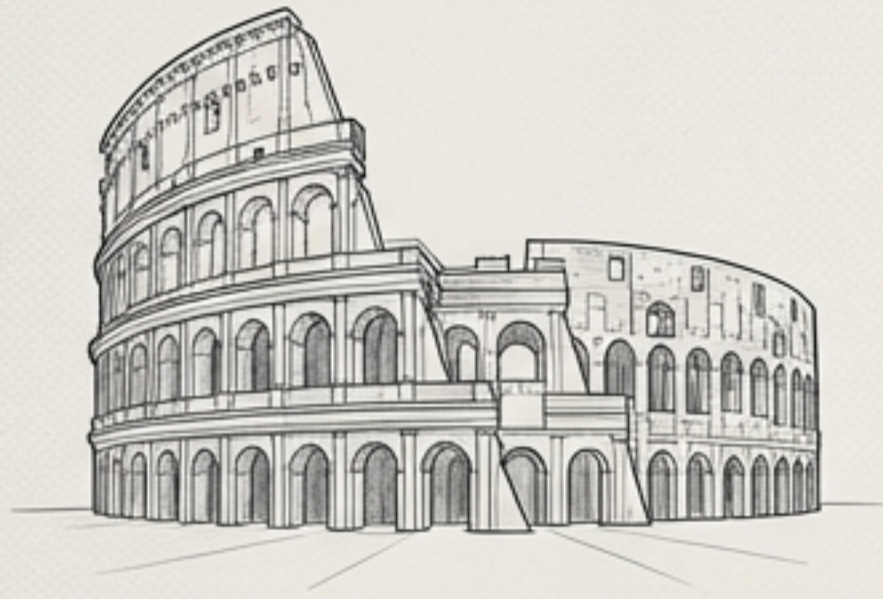


Material Intelligence Briefing

The Travertine Coffee Table: A Masterclass in Stone.

Sourcing, styling, and preserving natural stone furniture. Curated by Hunter Pavers.

An Architectural Legacy



Antiquity

The Rome Colosseum.

Forged as a primary construction block for the ancient world's most monumental architecture.

Modernism

Shell-Haus, Berlin & The Getty Center, Los Angeles.

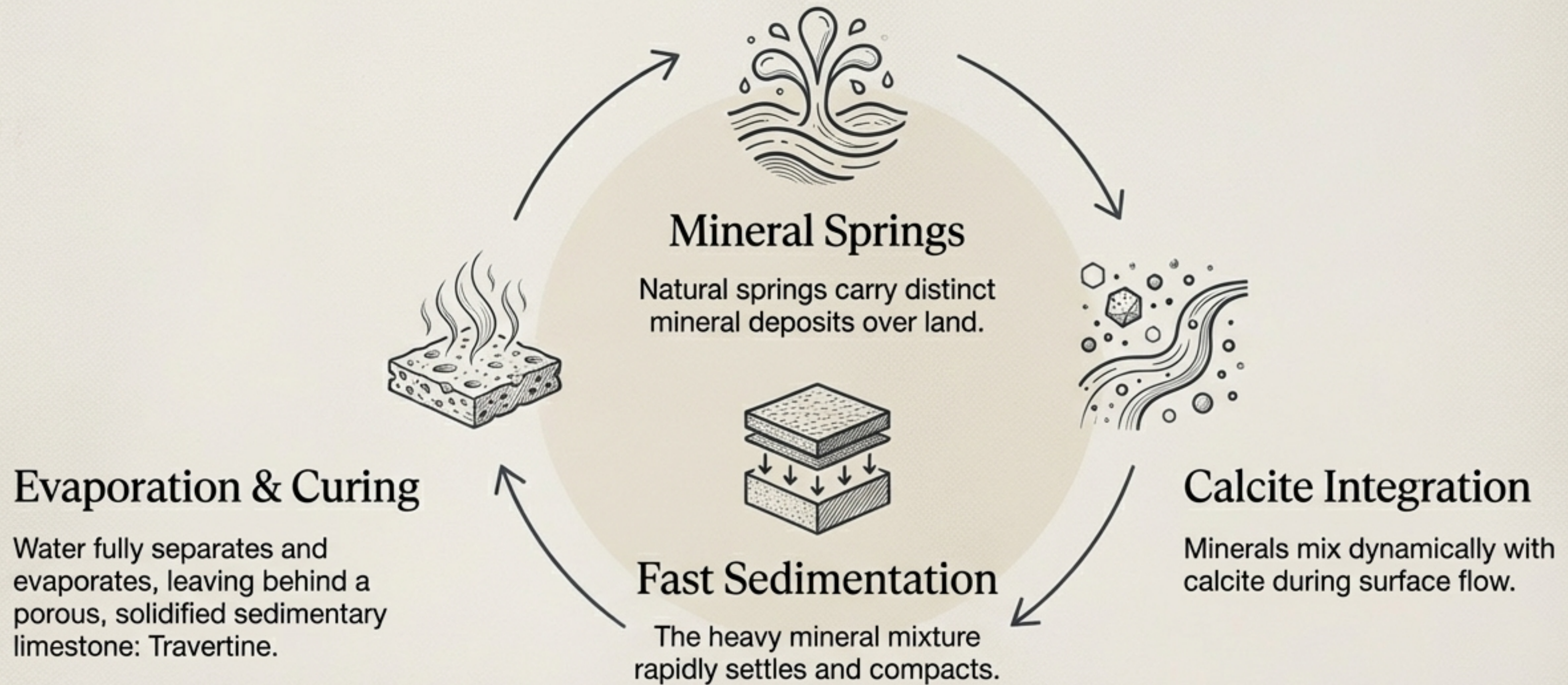
Adopted for grand façades and expansive paving in elite 20th-century architectural projects.

Contemporary

The Statement Piece.

Scaled down into covetable mid-century interior design, dominating elite living spaces and vintage furniture collections.

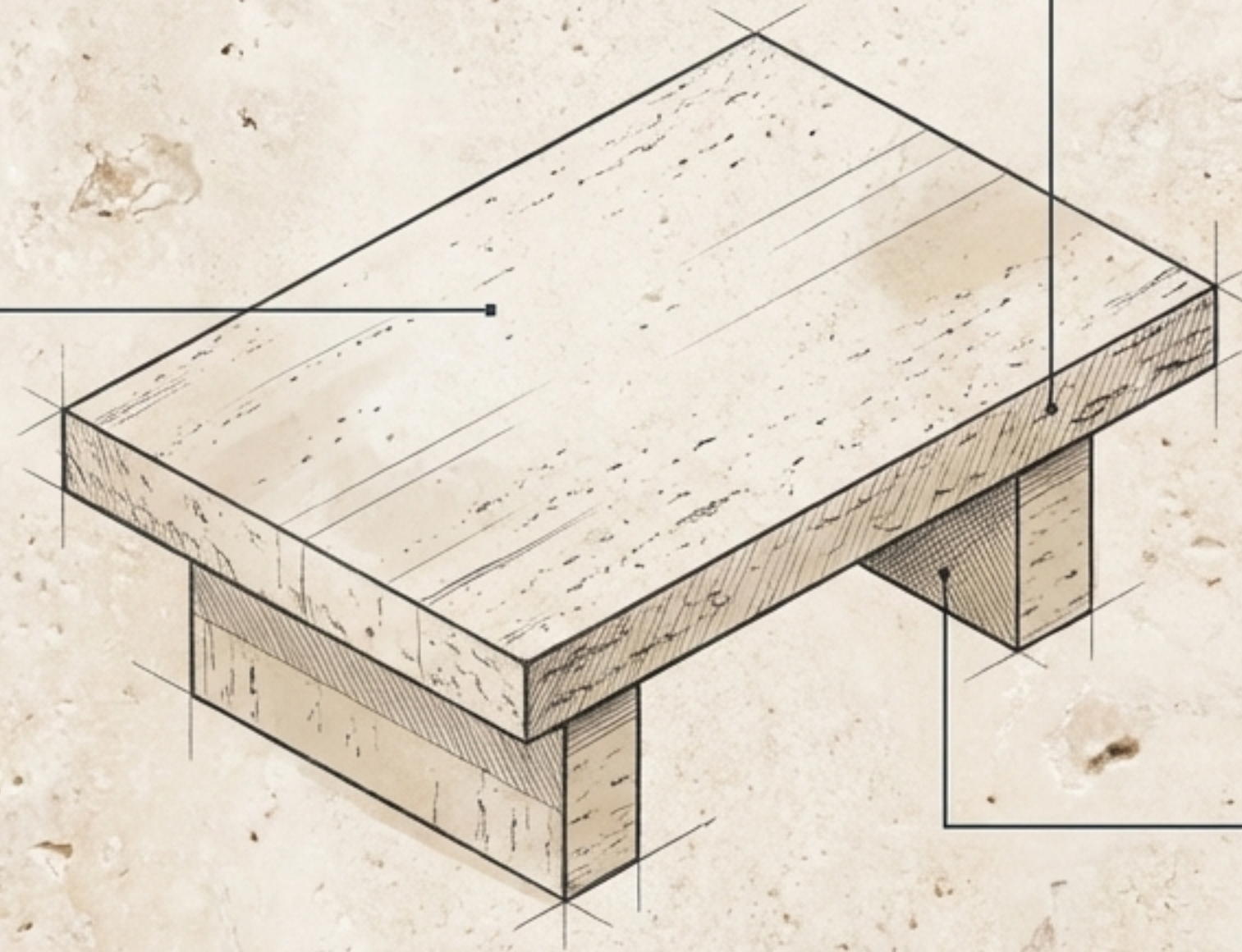
Forging Nature's Concrete



The Anatomy of a Statement

The Neutral Canvas

Provides an organic, grounding base that showcases decorative objects and vases without overwhelming the space.



Bold but Wise

Introduces instant, unexpected texture and historic elegance, signaling confident design choices.

Unyielding Durability

Inherently resistant to weathering and daily wear, proving its worth well beyond temporary trends.

The Diagnostic Matrix: Travertine vs. Marble

Geological
Classification

Sedimentary limestone formed by rapid mineral settling.

Metamorphic rock formed under extreme heat and pressure.

Structural
Weight

Significantly lighter, allowing for easier movement and larger continuous furniture slabs.

Extremely dense and heavy.

Maintenance
Reality

Easier baseline maintenance; highly forgiving natural texture.

Susceptible to etching; requires rigid upkeep.

Sourcing &
Value

The profitable, accessible choice for premium design.

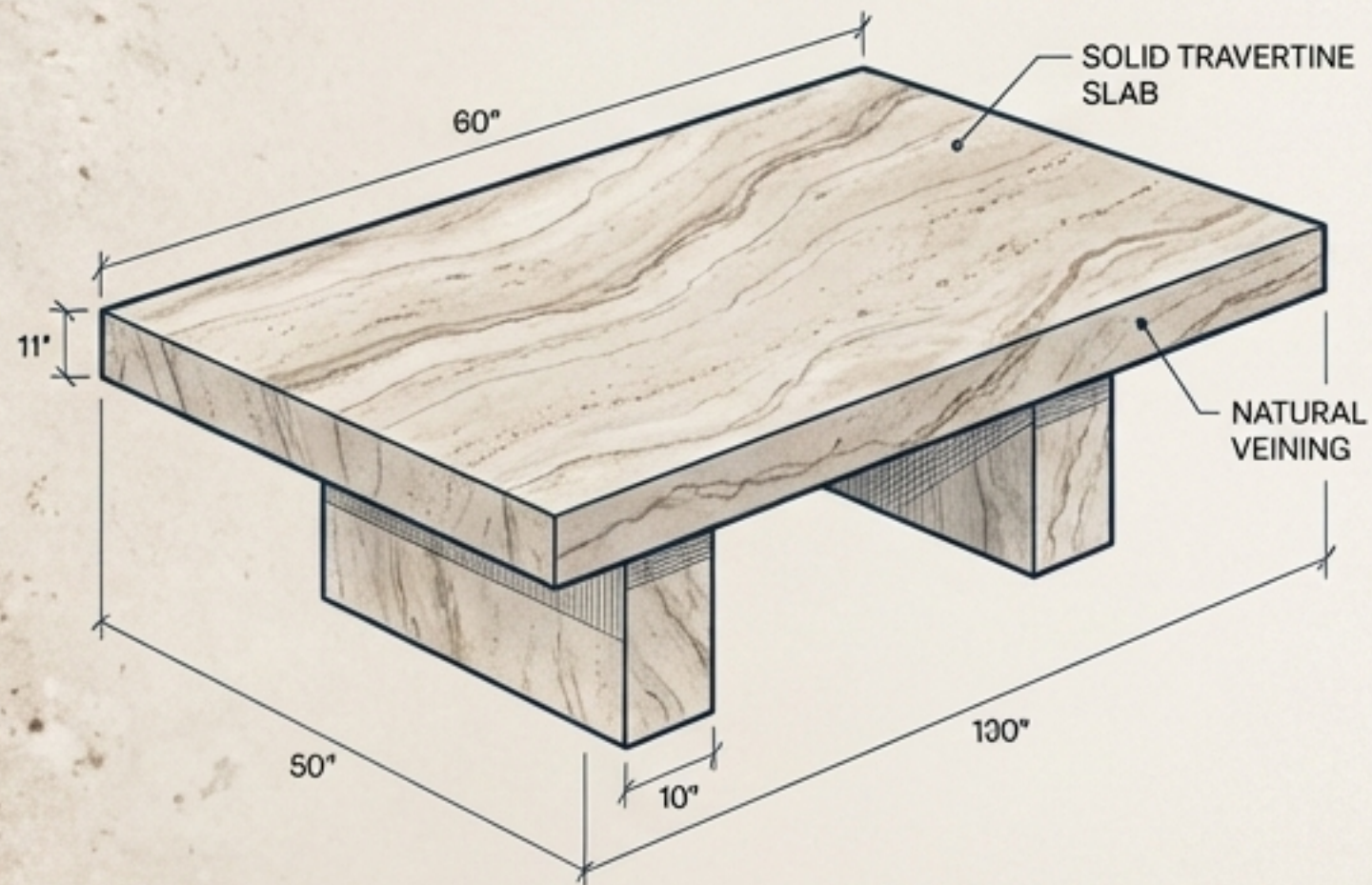
Considerably more expensive and difficult to source.

Visually similar. Functionally distinct. Travertine offers the grandeur of stone without the punishing weight or cost.

Architectural Configuration: Slabs vs. Tiles

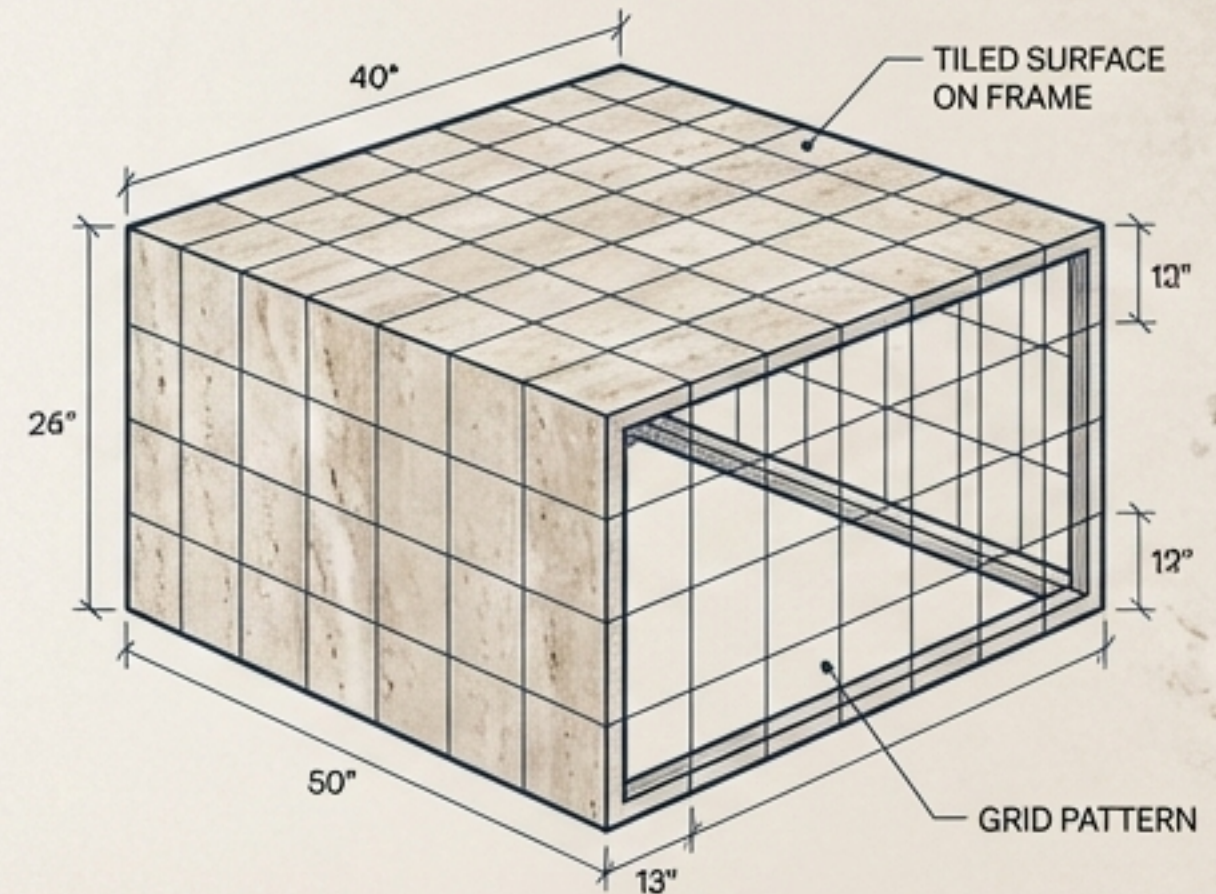
Think of a coffee table as a compact countertop for the center of the living room.

The Slab Approach



Utilizes large, unbroken pieces of stone. Ideal for highlighting sweeping, natural vein patterns and a heavy, modernist aesthetic.

The Tiled Approach



Utilizes segmented travertine tiles. Excellent for creating geometric patterns, rigid grid lines, and achieving a lighter overall footprint.

Specification Checklist

Decor Alignment

- ✓ **Rustic & Vintage:** The most common application, leaning into the stone's raw, weathered appearance.
- ✓ **Modern:** Achieved by utilizing strictly polished slabs or tiles for sharp, reflective geometry.

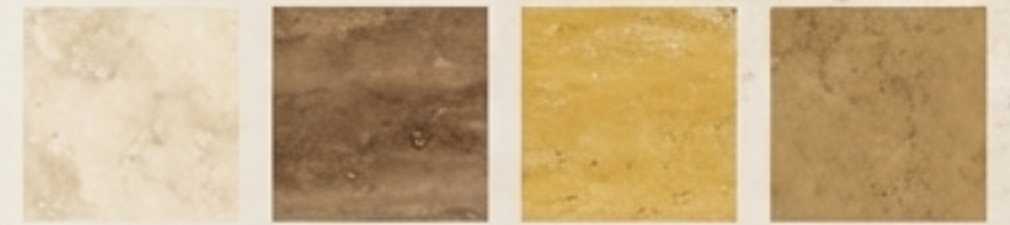
The Ideal Finish

Recommendation:

Honed Natural Finish.

Rationale: Widely recognized as the superior finish for residential countertops; balances smooth touch with organic texture.

Color Palette Selection



Warm Tones

Classic, Beige, Walnut, Giallo.

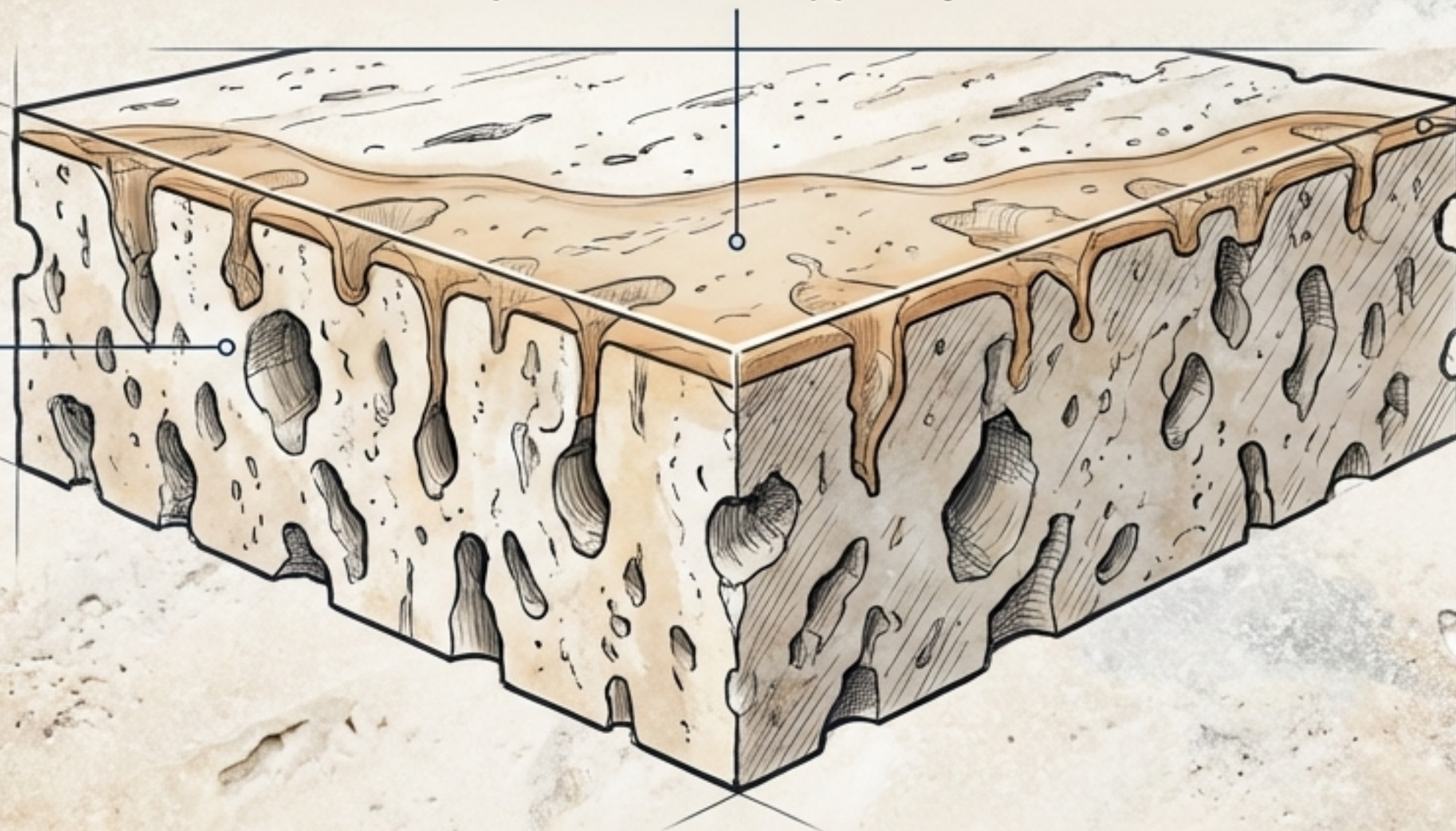


Cool & Neutral Tones

Silver, Ivory, Premium Veincut.

Preservation Science

The Solution: The Impregnation Agent. An essential pre-use treatment that permeates the upper layers of the stone.



The Problem

Travertine is inherently porous. Without defense, it is vulnerable to surface stains and daily living room hazards.

The Result

Blocks scratches and liquid absorption while strictly preserving the natural, tactile porous appearance of the stone.

Golden Rule: Impregnation is your first line of defense; coasters, placemats, and regular dusting are your daily armor.

Sourced by Masters

HUNTER
 **PAVERS**

Hunter Pavers, Australia.

A premier, highly-reviewed supplier of premium pavers, blocks, and retaining walls. We directly supply the raw travertine slabs and tiles utilized by the industry's top custom furniture makers.

Unika Blake

STONE INDUSTRY SPECIALIST

Credential: Over 10 years of specialized experience in the Australian stone industry.

Focus: Sourcing, designing, and delivering premium natural stone solutions for elite residential and commercial builds.

Action: Expert consultation available to match the precise material, cut, and tone to your interior design vision.